

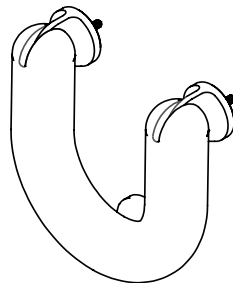
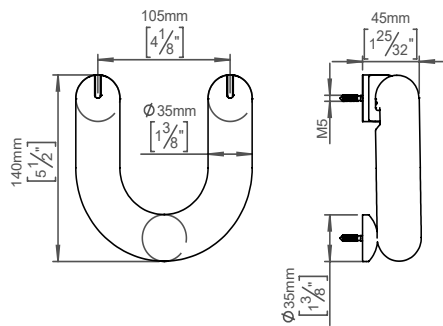
Fat door knocker - steel

Tom Dixon collection

Product Ø35mm, 140x140mm, cc 105mm, satin

Tender text FAT collection door knocker, Ø35mm, 140x140mm, cc 105mm, satin finish. The FAT collection is a series of architectural hardware pieces designed by English industrial designer Tom Dixon. Manufactured in the highest quality marine grade, AISI 316 stainless steel, protecting against high levels of corrosion. Diameter: Ø35. W: 140mmxH: 140mmxD: 46mm. 20-year warranty.

Product specification Dimensions: 140x140x46mm.
Diameter: Ø35mm
Material: stainless steel AISI 316
Surface finish: satin grain 320, crafted by hand
[20-year warranty \(5 years for coated items\)](#)



Available finishes

Solid metal



Satin steel

PVD



Charcoal Brass

Powder coated



Electric blue

Spare parts/ accessories

D 8245 - Double ended, woodscrew. M4x25mm.
D 8246 - Grub screw, M3x14mm.

Mounting

<https://dline.com/mounting-instructions/>

4 pairs per box

Product care

d line products are produced in the highest quality marine grade AISI 316 stainless steel. To sustain the unique d line finish please follow the below instructions:

- Wash down the surfaces using soapy water or mild detergent
 - Always thoroughly rinse off with clean water
 - To complete the cleaning procedure dry/polish the surface with a soft dry cloth
- Please do not use scouring powder, steel wool, chloride based detergents or other aggressive cleaning products as these may damage the surface.
- If spots or corrosion appear on the surface it is not due to the stainless steel quality, but to impurities in the environment, aggressive conditions or improper or insufficient cleaning.