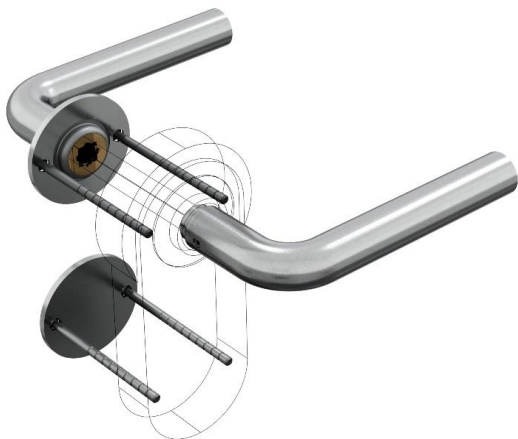


# Lever handle, 19L, f/Simons Voss AX, DIN

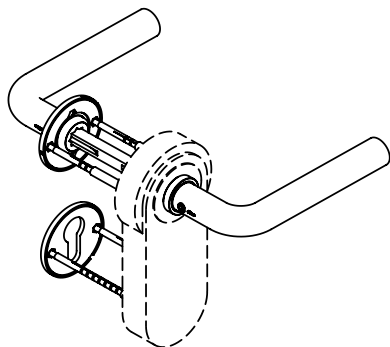
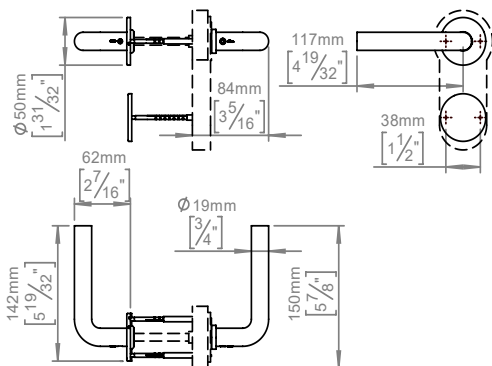
## Knud Holscher collection



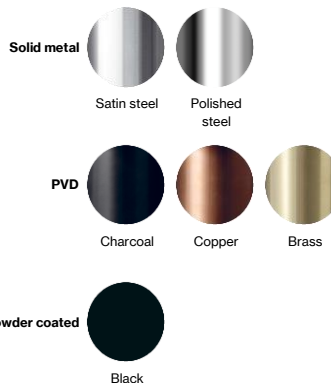
**Product** Lever handle, 19L, for Simons Voss AX, cc-38mm

**Tender text** Knud Holscher collection lever handle, 19L, for Simons Voss AX, cc-38mm. Manufactured in the highest quality marine grade, AISI 316 stainless steel, protecting against high levels of corrosion. Unique ball bearing system to secure extraordinary long lifespan. 20-year warranty.

**Product specification** Dimensions: 142x50x62 mm;  
Material: stainless steel AISI 316;  
Surface finish: satin;  
[20-year warranty \(5 years for coated items\)](#)



### Available finishes



**Spare parts/ accessories** 14970102019 - Grub screw M5x8,3mm;  
14970474065 - Sectioned bolt M4 x 110 mm

**Mounting** <https://dline.com/mounting-instructions/>

### Product care

d line products are produced in the highest quality marine grade AISI 316 stainless steel. To sustain the unique d line finish please follow the below instructions:

- Wash down the surfaces using soapy water or mild detergent
- Always thoroughly rinse off with clean water
- To complete the cleaning procedure dry/polish the surface with a soft dry cloth

Please do not use scouring powder, steel wool, chloride based detergents or other aggressive cleaning products as these may damage the surface.

If spots or corrosion appear on the surface it is not due to the stainless steel quality, but to impurities in the environment, aggressive conditions or improper or insufficient cleaning.