

Fat pull handle, medium - steel

Tom Dixon collection

Product

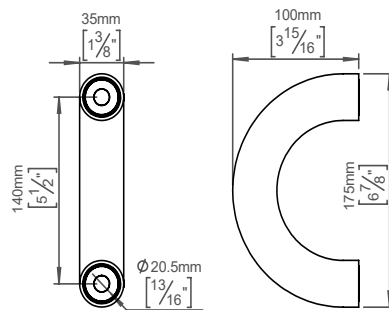
Bush, Ø35mm, cc 140mm, satin

Tender text

FAT pull handle, small. Bush, Ø35mm, cc 140mm, satin finish. The FAT collection is a series of architectural hardware pieces designed by English industrial designer Tom Dixon. Manufactured in the highest quality marine grade, AISI 316 stainless steel, protecting against high levels of corrosion. W: 175mmxH: 100mmxD: Ø35mm. 20-year warranty.

Product specification

Dimensions: 175x100mm. Diameter: Ø35mm. Material: stainless steel AISI 316. Surface finish: satin grain 320, crafted by hand [20-year warranty \(5 years for coated items\)](#)



Available finishes

Solid metal



Satin steel

PVD



Charcoal

Brass

Powder coated



Electric blue

Spare parts/ accessories

14491692309 - Bush head bolt M12x30mm
 14491692601 - Bush head bolt M12x60mm
 14970100106 - Grub screw M6x8mm
 14976500157 - Allen key 3mm
 A4974102324 - Thrust rose Ø26.4x2mm
 12496500305 - Fitting f/glass door, Ø12mm

Mounting

<https://dline.com/mounting-instructions/>

8 pcs. per box

Product care

d line products are produced in the highest quality marine grade AISI 316 stainless steel. To sustain the unique d line finish please follow the below instructions:

- Wash down the surfaces using soapy water or mild detergent
 - Always thoroughly rinse off with clean water
 - To complete the cleaning procedure dry/polish the surface with a soft dry cloth
- Please do not use scouring powder, steel wool, chloride based detergents or other aggressive cleaning products as these may damage the surface.
- If spots or corrosion appear on the surface it is not due to the stainless steel quality, but to impurities in the environment, aggressive conditions or improper or insufficient cleaning.