

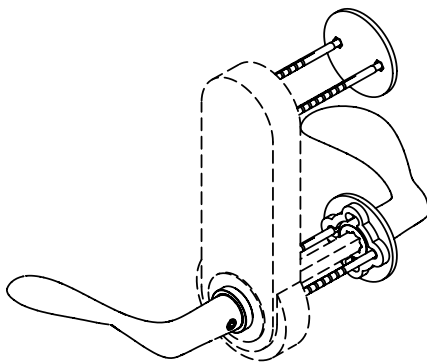
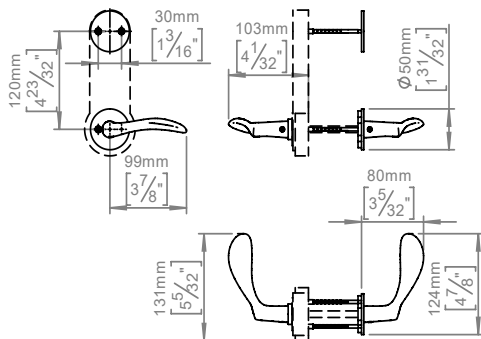
Lever handle, AJ 97, LH, f/Simons Voss AX, SKA

Arne Jacobsen collection

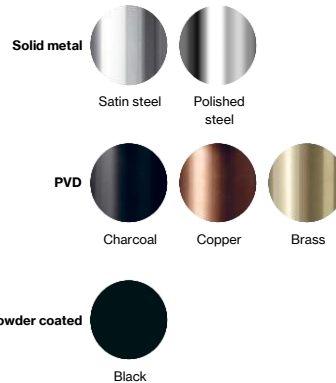
Product Lever handle, AJ 97, LH, for Simons Voss AX, cc-30mm

Tender text Arne Jacobsen collection lever handle, AJ 97, LH, for Simons Voss AX, cc-30mm. Manufactured in AISI 304 stainless steel, protecting against high levels of corrosion. Unique ball bearing system to secure extraordinary long lifespan. 20-year warranty.

Product specification Dimensions: 124x50x80 mm;
Material: stainless steel AISI 304;
Surface finish: satin;
[20-year warranty \(5 years for coated items\)](#)



Available finishes



Spare parts/accessories 14970102019 - Grub screw M5x8,3mm;
14970474065 - Sectioned bolt M4 x 110 mm

Mounting <https://dline.com/mounting-instructions/>

Product care

d line products are produced in the highest quality AISI 304 stainless steel. To sustain the unique d line finish please follow the below instructions:

- Wash down the surfaces using soapy water or mild detergent
- Always thoroughly rinse off with clean water
- To complete the cleaning procedure dry/polish the surface with a soft dry cloth

Please do not use scouring powder, steel wool, chloride based detergents or other aggressive cleaning products as these may damage the surface.

If spots or corrosion appear on the surface it is not due to the stainless steel quality, but to impurities in the environment, aggressive conditions or improper or insufficient cleaning.