

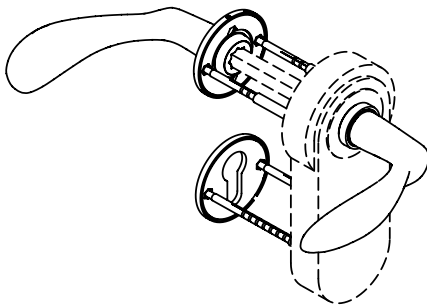
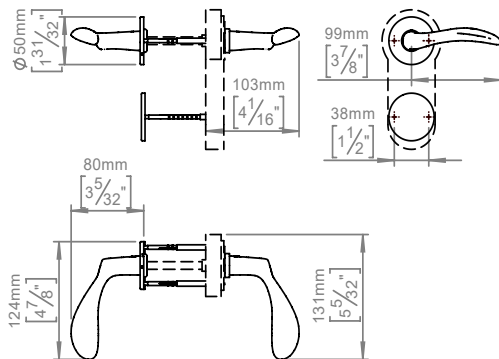
Lever handle, AJ 97, LH, f/Simons Voss AX, DIN

Arne Jacobsen collection

Product Lever handle, AJ 97, LH, for Simons Voss AX, cc-38mm

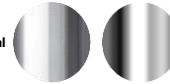
Tender text Arne Jacobsen collection lever handle, AJ 97, LH, for Simons Voss AX, cc-38mm. Manufactured in AISI 304 stainless steel, protecting against high levels of corrosion. Unique ball bearing system to secure extraordinary long lifespan. 20-year warranty.

Product specification Dimensions: 124x50x80 mm;
Material: stainless steel AISI 304;
Surface finish: satin;
[20-year warranty \(5 years for coated items\)](#)



Available finishes

Solid metal



Satin steel

Polished steel

PVD



Charcoal

Copper

Brass

Powder coated



Black

Spare parts/ accessories 14970102019 - Grub screw M5x8,3mm;
14970474065 - Sectioned bolt M4 x 110 mm

Mounting <https://dline.com/mounting-instructions/>

Product care

d line products are produced in the highest quality AISI 304 stainless steel. To sustain the unique d line finish please follow the below instructions:

- Wash down the surfaces using soapy water or mild detergent
 - Always thoroughly rinse off with clean water
 - To complete the cleaning procedure dry/polish the surface with a soft dry cloth
- Please do not use scouring powder, steel wool, chloride based detergents or other aggressive cleaning products as these may damage the surface.
- If spots or corrosion appear on the surface it is not due to the stainless steel quality, but to impurities in the environment, aggressive conditions or improper or insufficient cleaning.