

# Lever handle, AJ 97, f/Salto XS4 set

## Arne Jacobsen collection

## Product

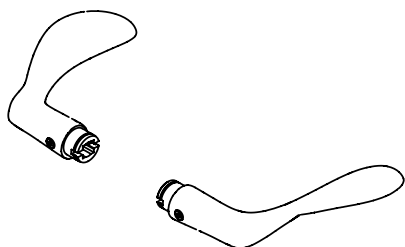
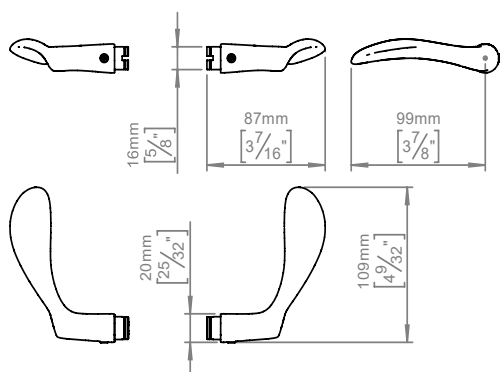
Lever handle, AJ 97, for Salto SX4 set

## Tender text

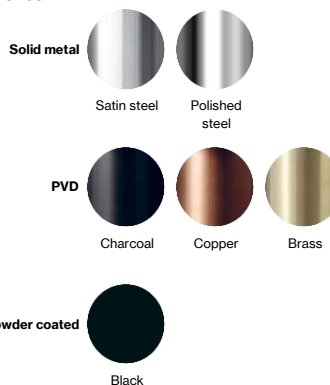
Arne Jacobsen collection lever handle, AJ 97, for Salto XS4 set. Manufactured in AISI 304 stainless steel, protecting against high levels of corrosion.

## Product specification

Dimensions: 109x20x87 mm;  
Material: stainless steel AISI 304;  
Surface finish: satin;  
[20-year warranty \(5 years for coated items\)](#)



## Available finishes

Spare parts/  
accessories

14970102019 - Grub screw M5x8,3mm;

## Mounting

<https://dline.com/mounting-instructions/>

## Product care

d line products are produced in the highest quality AISI 304 stainless steel. To sustain the unique d line finish please follow the below instructions:

- Wash down the surfaces using soapy water or mild detergent
  - Always thoroughly rinse off with clean water
  - To complete the cleaning procedure dry/polish the surface with a soft dry cloth
- Please do not use scouring powder, steel wool, chloride based detergents or other aggressive cleaning products as these may damage the surface.
- If spots or corrosion appear on the surface it is not due to the stainless steel quality, but to impurities in the environment, aggressive conditions or improper or insufficient cleaning.